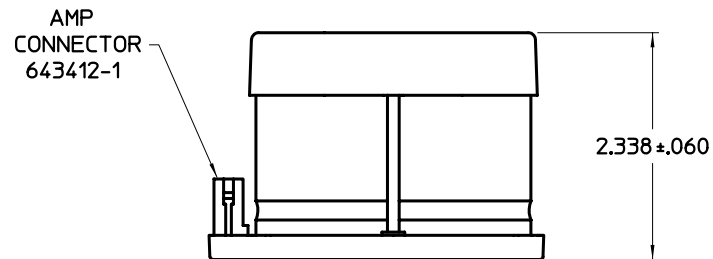
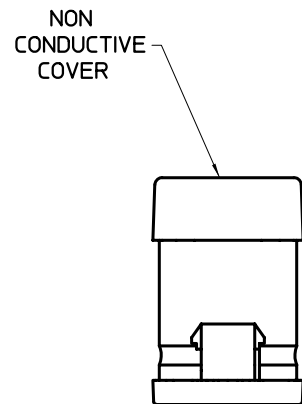
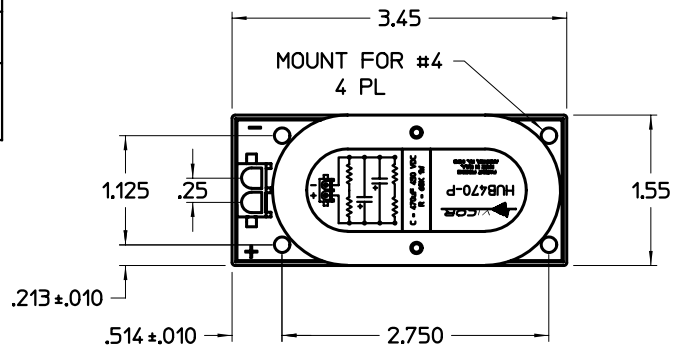


**VICOR CONFIDENTIAL**  
 THIS DOCUMENT AND THE DATA DISCLOSED  
 HEREIN OR HEREWITH IS NOT TO BE REPRODUCED,  
 USED, OR DISCLOSED IN WHOLE OR IN PART  
 TO ANYONE WITHOUT PERMISSION OF VICOR CORP.

REV.	DESCRIPTION	DATE	APPROVED
01	RELEASED PER E980365	DPK 9/14/98	RCM
02	REVSD- E980451	RCM 12/1/98	DPK
03	REVSD PER E990386	AK 9/14/99	RCM
04	REVSD PER E990450	RCM 3/6/00	DPK

VICOR HUB PART NO.	MATING CONNECTOR		
	ORDER FROM: AMP		ORDER FROM: VICOR
	HOUSING (QTY 1)	PINS (QTY 2)	HOUSING/PINS KIT (QTY 1)
HUB470-P	770017-1	770248-1	21395



AT +105°C, 120HZ UNLESS OTHERWISE NOTED					
ITEM	CHARACTERISTICS				
OPERATING TEMPERATURE	-25 to +105°C				
CAPACITANCE TOLERANCE @+20°C	±20%				
RIPPLE CURRENT MULTIPLIER	AMBIENT TEMPERATURE (°C)				
	+45	+60	+70	+85	+105
	2.64	2.23	2.12	1.73	1.00
	DISSIPATION FACTOR @ +20°C				
	0.1				
RATED VOLTAGE (WVDC)					
200					
CAPACITANCE VALUE (C1, C2 EA. uF)					
470					
MAXIMUM ESR (OHMS) @ +20°C					
0.529					
MAXIMUM RIPPLE CURRENT (A rms)					
1.72					

DRAWN BY D.CYRAR	DATE 4/2/98
UNLESS OTHERWISE SPECIFIED DIMENSIONS ARE IN INCHES - TOLERANCES ARE: FRACTIONS DECIMALS ANGLES #/64 .001 #1° #/100 #.005 #1°	
THIRD ANGLE PROJECTION	DO NOT SCALE DRAWING

<b>OUTLINE DRAWING, HUB470-P</b>	
SIZE <b>C</b>	FSCM NO. <b>67131</b>
DWG NO. <b>16769</b>	REV <b>04</b>
SCALE FULL	SHEET 1 OF 1